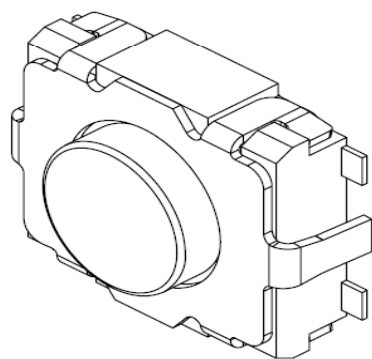
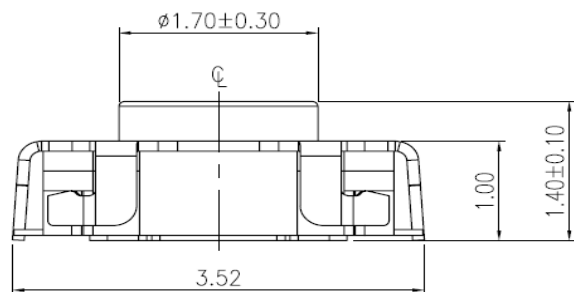
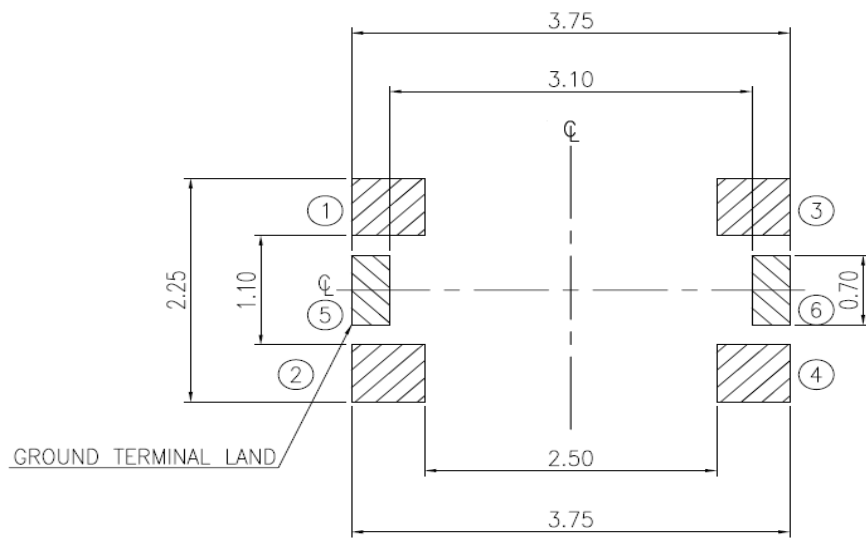


↓  
A



P.C.B. LAYOUT  
(VIEW FROM THE DIRECTION A)

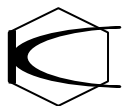


HATCHED AREA SHOWS SOLDERING LAND.

SPECIFICATIONS:

- 1. Rating : 50mA, DC 12V
- 2. Contact Resistance : 100mΩ Max.
- 3. Insulation Resistance : DC 100V 100 MΩ Min.
- 4. Dielectric Strength : AC 250V 1 minute
- 5. Operating Force (OF): See Attached Sheet.
- 6. Life: 200,000 CYCLES
- 7. Operating Temperature Range: -40~85°C  
Storage Temperature Range: -40~90°C

Part No	Stem Color	Operating Force
S	Black	400±80gf
N	White	200±50gf
R	Brown	160±50gf



銓基電子股份有限公司  
ROKI ELECTRONICS CO., LTD.

PART NAME : TACT SWITCH

PART NO : TS58M-□□-G-PF

TOLERANCE : ±0.2 mm

SCALE :

UNIT : mm

VER : R01

